

Irrigation & Agriculture



Model WMR - Water Meter

The ample space around the core of the in-line helical axial turbine allows foreign matter to pass through the meter without clogging.

- **Applications**
For main supply lines, agriculture and industry
- **Available Sizes**
2" (50mm)
- **Standards**
EEC (based on ISO 4064:1993)

Features:

- Minimum head loss
- High accuracy
- Hermetically sealed register with glass lens
- Optional electrical output: EV (volume), EF (rate of flow) or DIALOG
- Not sensitive to dirt



Technical Specifications

Maximum Working Pressure	16 bar
Maximum Liquid Temperature	55°C
Body	Iron, polyester coated
Connection	2" BSP coupling



WMR type dial

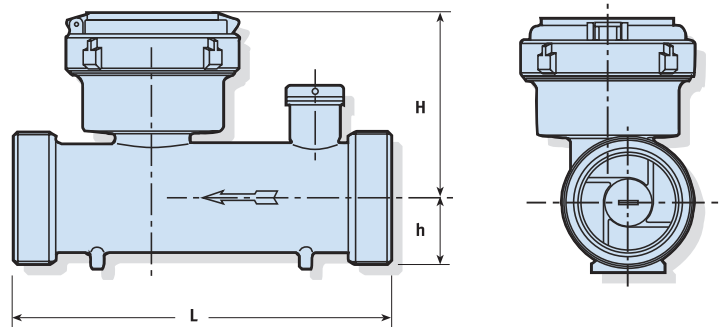
Irrigation & Agriculture



Model WMR - Water Meter

Dimensions

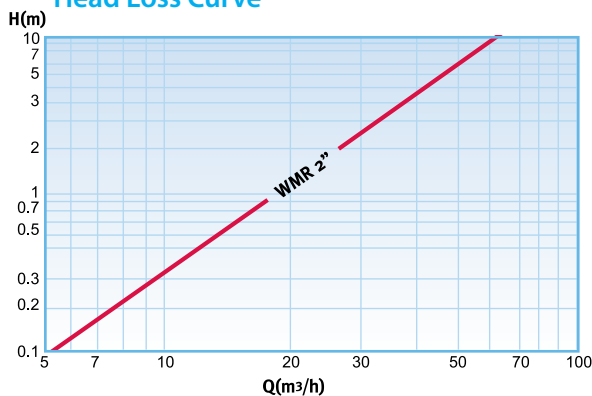
Model		WMR
Nominal size	(mm)	50
	(inch)	2
L – Length without couplings (mm)		200
H – Height (mm)		98
h – Height (mm)		40
Weight (kg)		2.3
Weight with couplings (kg)		3.7



Performance data:

Model WMR		Qmax	Qn	Qn	Qt	Qmin	Starting Flow	Maximum register capacity	Smallest readable unit	Accuracy between Qmax & Qt	Accuracy between Qt & Qmin
Nominal size		Maximum flowrate (m3/h)	ISO 4064 (m3/h)	Nominal Flowrate (m3/h)	Transitional Flowrate (m3/h)	Minimum Flowrate (m3/h)	(m3/h)	(m3)	(liter)		
(mm)	(inch)										
50	2	40	15	20	2	0.45	0.15	10 ⁶	1	±2%	±5%

Head Loss Curve



Installation Requirements

- The water meter may be installed in any position. For non-horizontal position the flow shall be upwards.
- The meter shall be full of water while operating.
- Prior to installation of a meter the pipeline shall be thoroughly flushed.
- Straight pipe section of the same diameter D as the meter, having lengths of 10D and 5D shall be installed upstream and downstream of the meter respectively.



Arad Ltd.

Dalia 19239, Israel, Tel: 972-4-9897911, Fax: 972-4-9897960

www.arad.co.il

